

Pittcon

6409 Rhode Island Avenue
 Riverdale, Maryland 20737
 (301) 927-1000
 (301) 699-8690 Fax



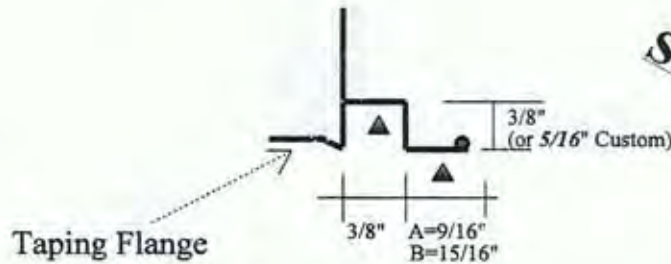
DCS & Associates

MATERIAL		FINISH			
<u>STEEL</u> A B C D E	<u>ALUMINUM</u> A B C D E	<u>BAKED ENAMEL WHITE</u> A B C D E	<u>BAKED ENAMEL BLACK</u> A B C D E	<u>EG</u>	<u>OTHERS</u>

# A	CTRB-916	25 PCS. P/ CARTON	LENGTH: 10'	TOTAL LF / PER CARTON: 250'
# B	CTRB-1516	25 PCS. P/ CARTON	LENGTH: 10'	TOTAL LF / PER CARTON: 250'

- A. CTRB-916
- B. CTRB-1516

Ceiling Transition Reveal-Bead



CUSTOM SIZES AVAILABLE: 2 WEEKS +/-

△ = BAKED WHITE ENAMEL

PLEASE SIGN HERE APPROVAL AND FAX BACK, IN ORDER FOR US TO PROCEED WITH ORDER:

▶ X _____ DATE: _____

▶ PURCHASE ORDER # _____ JOB # _____ CARTONS: _____

PRICING IS FIRM FOR 30 DAYS (UNLESS NOTED OTHERWISE)

Pittcon

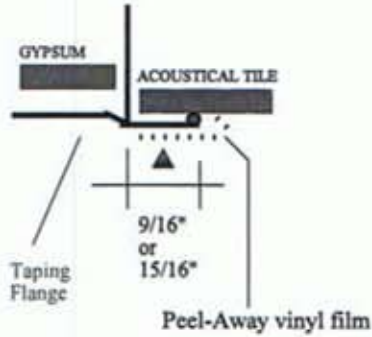
6409 Rhode Island Avenue
 Riverdale, Maryland 20737
 (301) 927-1000
 (301) 699-8690 Fax



CUSTOMER:		CONTACT:			DATE:		
TEL:		FAX:			JOB NAME:		
JOB LOCATION:	MATERIAL			FINISH			
	STEEL A B C D E	ALUMINUM A B C D E	BAKED ENAMEL WHITE A B C D E	BAKED ENAMEL BLACK A B C D E	EG	OTHERS	

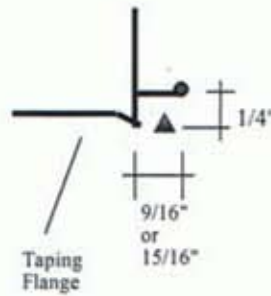
LEAD TIME: STOCK		QUOTED BY:			PROJECT MANAGER:		
# A	GAUGE:	PCS. 20 /CTN	LENGTH: 10'-00"	TOTAL LF: 200' /CTN	PRICE: \$	PER: LF	PC.
# B	GAUGE:	PCS. 20 /CTN	LENGTH: 10'-00"	TOTAL LF: 200' /CTN	PRICE: \$	PER: LF	PC.
# C	GAUGE:	PCS. 20 /CTN	LENGTH: 10'-00"	TOTAL LF: 200' /CTN	PRICE: \$	PER: LF	PC.
# D	GAUGE:	PCS.	LENGTH:	TOTAL LF:	PRICE: \$	PER: LF	PC.
# E	GAUGE:	PCS.	LENGTH:	TOTAL LF:	PRICE: \$	PER: LF	PC.

A. CTB-916 or CTB-1516
Ceiling Transition Angle-Bead



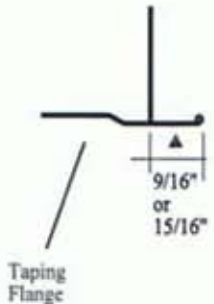
STOCK!

B. CTB-916OS or CTB-916OS
"Offset" Ceiling Transition Bead



STOCK!

C. CTB-916SL or CTB-1516SL
"Seamless" Ceiling Transition Bead



STOCK!

CUSTOM SIZES AVAILABLE: 2 WEEKS +/-

△ = BAKED WHITE ENAMEL

PLEASE SIGN HERE APPROVAL AND FAX BACK, IN ORDER FOR US TO PROCEED WITH ORDER:

▶ X _____ DATE: _____

▶ **PURCHASE ORDER #** **JOB #** **CARTONS:**

ABOVE PRICING IS FIRM FOR 30 DAYS (UNLESS NOTED OTHERWISE)

Pittcon

6409 Rhode Island Avenue
 Riverdale, Maryland 20737
 (301) 927-1000
 (301) 699-8690 Fax

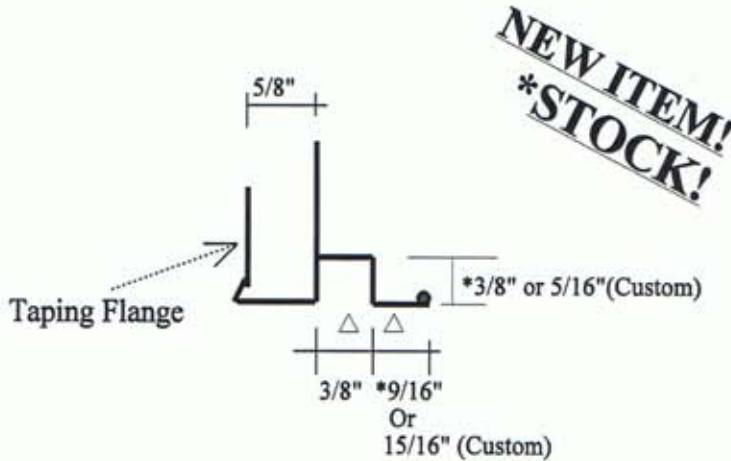


MATERIAL		FINISH			
<u>STEEL</u> A B C D E	<u>ALUMINUM</u> A B C D E	<u>BAKED ENAMEL WHITE</u> A B C D E	<u>BAKED ENAMEL BLACK</u> A B C D E	<u>EG</u>	<u>OTHERS</u>

# A	CTRBF-916	20 PCS. P/ CARTON	LENGTH: 10'	TOTAL LF / PER CARTON: 200'
# B	CTRBF-1516	20 PCS. P/ CARTON	LENGTH: 10'	TOTAL LF / PER CARTON: 200'

- A. CTRBF-916
- B. CTRBF-1516

Ceiling Transition Reveal "F" Bead CTRB WRAP-AROUND



CUSTOM SIZES AVAILABLE: 2 WEEKS +/-

△ = BAKED WHITE ENAMEL

► PURCHASE ORDER #	JOB #	CARTONS:
--------------------	-------	----------

ABOVE PRICING IS FIRM FOR 30 DAYS (UNLESS NOTED OTHERWISE)

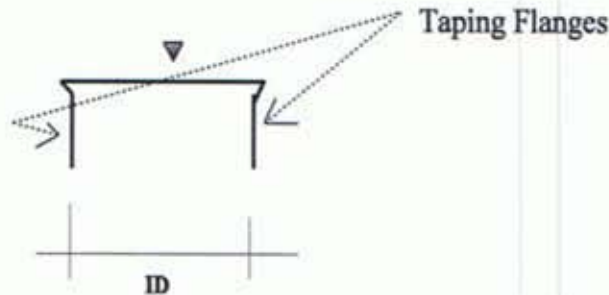
Pittcon

6409 Rhode Island Avenue
 Riverdale, Maryland 20737
 (301) 927-1000
 (301) 699-8690 Fax



CUSTOMER:			CONTACT :			DATE:		
TEL:			FAX:			JOB NAME:		
JOB LOCATION:		<u>STEEL</u> A B C D E F	<u>ALUMINUM</u> A B C D E F		<u>BAKED ENAMEL WHITE</u> A B C D E F	<u>BAKED ENAMEL BLACK</u> A B C D E F	<u>OTHERS</u>	
LEAD TIME:		QUOTED BY:			PROJECT MANAGER:			
# A	#AWC125	1-1/4"	PCS./CTN: 20	LENGTH: 10'-00"	TOTAL LF/CTN: 200'	PRICE: \$	PER: LF	PC.
# B	#AWC378	3-7/8"	PCS./CTN: 8	LENGTH: 10'-00"	TOTAL LF/CTN: 80'	PRICE: \$	PER: LF	PC.
# C	#AWC450	4-1/2"	PCS./CTN: 6	LENGTH: 10'-00"	TOTAL LF/CTN: 60'	PRICE: \$	PER: LF	PC.
# D	#AWC500	5-00"	PCS./CTN: 6	LENGTH: 10'-00"	TOTAL LF/CTN: 60'	PRICE: \$	PER: LF	PC.
# E	#AWC5652	5-5/8"	PCS./CTN: 6	LENGTH: 10'-00"	TOTAL LF/CTN: 60'	PRICE: \$	PER: LF	PC.
# F	#AWC6125	6-1/8"	PCS./CTN: 6	LENGTH: 10'-00"	TOTAL LF/CTN: 60'	PRICE: \$	PER: LF	PC.

DRYWALL FINISHING WALL CAPS WHITE



- A= AWC125 = 1-1/4"
- B= AWC378 = 3-7/8"
- C= AWC450 = 4-1/2"
- D= AWC500 = 5-00"
- E= AWC5625 = 5-5/8"
- F= AWC6125 = 6-1/8"

STOCK!

CUSTOM SIZES AVAILABLE: 2 WEEKS +/-

△ = BAKED WHITE ENAMEL

PLEASE SIGN HERE APPROVAL AND FAX BACK	X _____	DATE: _____
PURCHASE ORDER # _____	JOB # _____	CARTONS: _____

PRICING IS FIRM FOR 30 DAYS (UNLESS NOTED OTHERWISE)

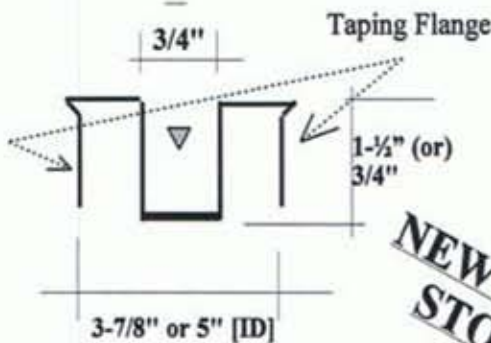
Pittcon

6409 Rhode Island Avenue
 Riverdale, Maryland 20737
 (301) 927-1000
 (301) 699-8690 Fax

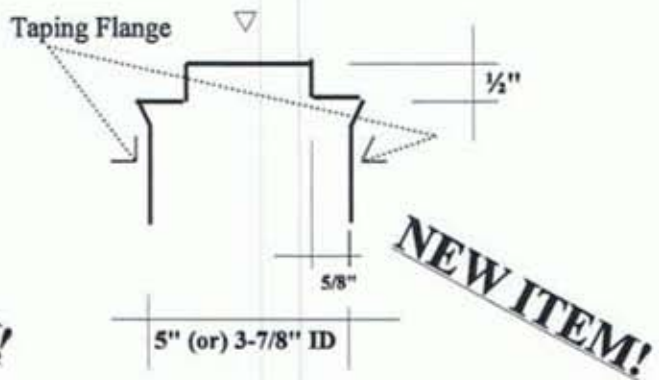


CUSTOMER:		CONTACT:		DATE:	
TEL:		FAX:		JOB NAME:	
JOB LOCATION:	MATERIAL		FINISH		
	STEEL A B C D E	ALUMINUM A B C D E	BAKED ENAMEL WHITE A B C D E	BAKED ENAMEL BLACK A B C D E	EG OTHERS
LEAD TIME: 2 WEEKS +/-	QUOTED BY:		PROJECT MANAGER:		
# A GAUGE:	PCS. 5/CTN	LENGTH: 10'	TOTAL LF: 50' / CTN	PRICE: \$	PER: LF PC.
# B GAUGE:	PCS. 5/CTN	LENGTH: 10'	TOTAL LF: 50' / CTN	PRICE: \$	PER: LF PC.
# C GAUGE:	PCS. 5/CTN	LENGTH: 10'	TOTAL LF: 50' / CTN	PRICE: \$	PER: LF PC.
# D GAUGE:	PCS. 5/CTN	LENGTH: 10'	TOTAL LF: 50' / CTN	PRICE: \$	PER: LF PC.
# E GAUGE:	PCS.	LENGTH:	TOTAL LF:	PRICE: \$	PER: LF PC.

A: Glass-Track Revealed Wall-cap



B: Stepped reveal Wall-Cap "Protruded"



- NEW ITEM! STOCK!**
- A. AWCR378-150 [CAP: 3-7/8" - Reveal: 3/4x1-1/2]
 - B. AWCR378-75 [CAP: 3-7/8" - Reveal: 3/4x3/4]
 - C. AWCR5-150 [CAP: 5" - Reveal: 3/4x1-1/2]
 - D. AWCR5-75 [CAP: 5" - Reveal: 3/4x3/4]

CUSTOM SIZES AVAILABLE: 2 WEEKS +/-

△ = BAKED WHITE ENAMEL

PLEASE SIGN HERE APPROVAL AND FAX BACK, IN ORDER FOR US TO PROCEED WITH ORDER:

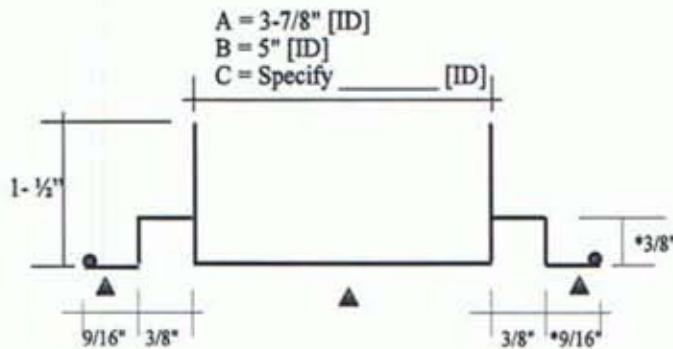
▶ X _____ DATE: _____

▶ PURCHASE ORDER # _____ JOB # _____ CARTONS: _____

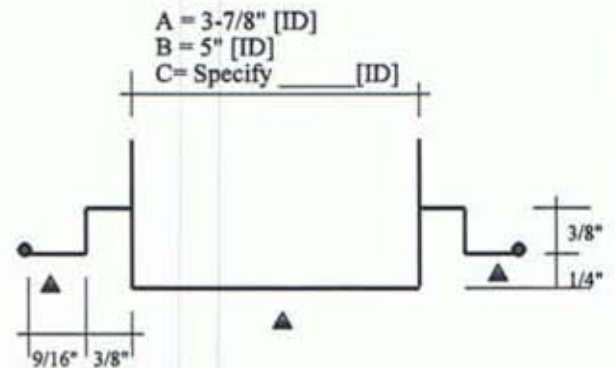
PRICING IS FIRM FOR 30 DAYS (UNLESS NOTED OTHERWISE)

CUSTOMER:		CONTACT:		DATE:			
TEL:		FAX:		JOB NAME:			
JOB LOCATION:	MATERIAL		FINISH				
	STEEL A B C D E	ALUMINUM A B C D E	BAKED ENAMEL WHITE A B C D E	BAKED ENAMEL BLACK A B C D E	EG OTHERS		
LEAD TIME: 2WEEKS +/-		QUOTED BY:		PROJECT MANAGER:			
# A	GAUGE:	PCS.	LENGTH: 10'-00"	TOTAL LF:	PRICE: \$	PER: LF	PC.
# B	GAUGE:	PCS.	LENGTH:	TOTAL LF:	PRICE: \$	PER: LF	PC.
# C	GAUGE:	PCS.	LENGTH:	TOTAL LF:	PRICE: \$	PER: LF	PC.
# D	GAUGE:	PCS.	LENGTH:	TOTAL LF:	PRICE: \$	PER: LF	PC.

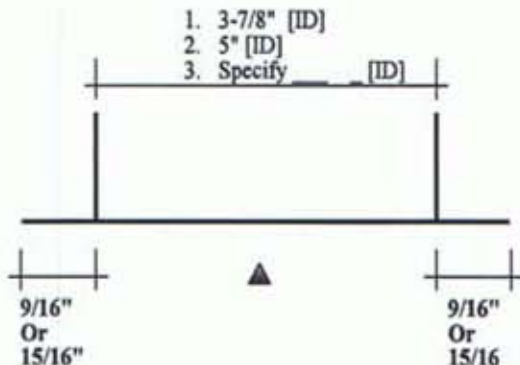
Ceiling Transition Reveal-Mldg "CAP" WHITE



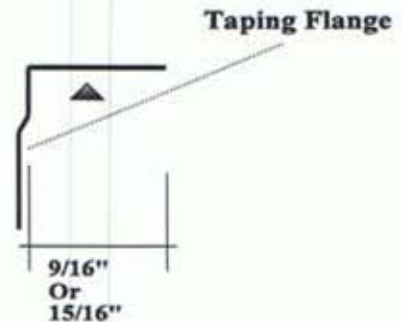
"Offset" Ceiling Transition Reveal-Mldg "CAP" WHITE



Ceiling "CAP-ANGLE" WHITE



Reverse Ceiling "Taping Angle" WHITE



CUSTOM SIZES AVAILABLE: 2 WEEKS +/-

△ = BAKED WHITE ENAMEL

PLEASE SIGN HERE APPROVAL AND FAX BACK X _____ DATE: _____

PURCHASE ORDER # _____ JOB # _____ CARTONS: _____

ABOVE PRICING IS FIRM FOR 30 DAYS (UNLESS NOTED OTHERWISE)



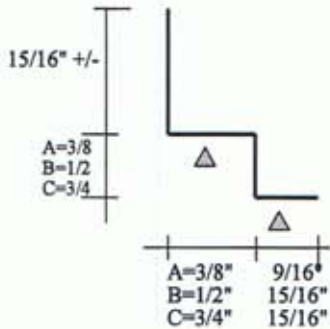
6409 Rhode Island Avenue
 Riverdale, Maryland 20737
 (301) 927-1000
 (301) 699-8690 Fax



CUSTOMER:		CONTACT:			DATE:		
TEL:		FAX:			JOB NAME:		
JOB LOCATION:		MATERIAL			FINISH		
		<u>STEEL</u> A B C D E	<u>ALUMINUM</u> A B C D E	<u>BAKED ENAMEL WHITE</u> A B C D E	<u>BAKED ENAMEL BLACK</u> A B C D E	EG	<u>OTHERS</u>
# A	GAUGE:	PCS.	LENGTH: 10'	TOTAL LF:	PRICE: \$	PER: LF	PC.
# B	GAUGE:	PCS.	LENGTH: 10'	TOTAL LF:	PRICE: \$	PER: LF	PC.
# C	GAUGE:	PCS.	LENGTH: 10'	TOTAL LF:	PRICE: \$	PER: LF	PC.
# D	GAUGE:	PCS.	LENGTH: 10'	TOTAL LF:	PRICE: \$	PER: LF	PC.
# E	GAUGE:	PCS.	LENGTH: 10'	TOTAL LF:	PRICE: \$	PER: LF	PC.
# F	GAUGE:	PCS.	LENGTH: 10'	TOTAL LF:	PRICE: \$	PER: LF	PC.

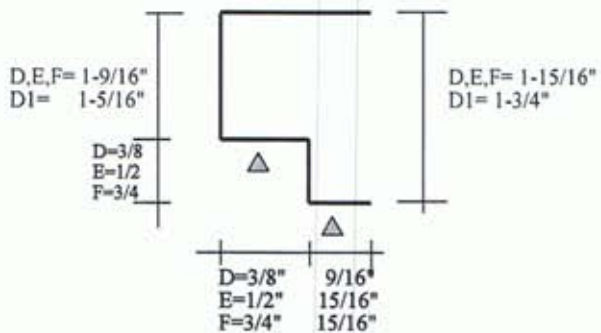
STEP / REVEAL "ANGLE" MOLDING

- A. #SM38916
- B. #SM50
- C. #SM75



STEP / REVEAL "CHANNEL" MOLDING

- 2" (overall ht.) CHANNEL D. #RVM38916
- 1-3/4" (overall ht.) CHANNEL D1. #RVM38916-175
- E. #RVM50
- F. #RVM75



NOTE: ALL STEP/REVEAL ANGLE AND CHANNEL MOLDINGS ARE HEMMED ON BOTH EDGES.

CUSTOM SIZES AVAILABLE 2 WEEKS +/-

△ = BAKED WHITE ENAMEL

PLEASE SIGN HERE APPROVAL AND FAX BACK, IN ORDER FOR US TO PROCEED WITH ORDER:

▶ X _____ DATE: _____

▶ PURCHASE ORDER # _____ JOB # _____ CARTONS: _____

ABOVE PRICING IS FIRM FOR 30 DAYS (UNLESS NOTED OTHERWISE)

LEED™ Certificate For Softforms Aluminum Extrusions

RECYCLED CONTENT

The aluminum that makes up the total content of our Softforms Drywall and Plaster extrusions consist of 30% Primary aluminum billets and 70% Secondary aluminum billets. The Secondary aluminum billets are produced using 10% Post-consumer scrap and 60% Post-industrial or Pre-consumer scrap

Under the guidelines of the USGBC – LEED V2.2, the total recycled content of the extruded aluminum Perimeter Trims is 28%.

$$.30 \times 0 + .70 (.10 + \frac{1}{2} \times .60) = 28.0\%$$

The finished product may be manufactured in one of two locations whichever are closest to our customer, Riverdale Maryland and Phoenix Arizona. The material is extruded in Canfield, Ohio. The raw materials that make up this extrusion are #6063 Aluminum alloys, originating in New Madrid, Missouri.

RECYCLABILITY

Not only does the aluminum used in our Softforms extrusions contain a good percentage of both post-consumer and post-industrial recycled content, at the end of its long, useful life in your building application it is 100% recyclable. The aluminum components can be repeatedly recycled back into similar products with no loss of quality, and aluminum in its various forms provides the most valuable component for most municipal recycling efforts.

To produce aluminum from recycled material requires only ~5% of the energy required to produce aluminum from bauxite ore, and every ton of recycled aluminum saves 4 tons of bauxite. Additionally, using recycled aluminum instead of raw materials reduces air pollution generation such as CO₂, SO_x, and NO_x by 95% and water pollution by 97%.

Information within this certificate was extracted from The Aluminum Association LEED™ Fact Sheet on Aluminum Sheet & Plate for the Building & Construction Market www.aluminum.org



Florida

Thomas Schreiber
Sales Representative

tom@dcs-sales.com

(407) 648-5348 Phone

(407) 505-4336 Fax

Caribbean Islands - Puerto Rico, US Virgin Islands
Island groups-Lucayan Archipelago
Greater Antilles, Lesser Antilles

+1 305 890 26 22 Phone

Chicago, Illinois

(312) 823-8019 Phone

Pietrasanta, Lucca
ITA, EU

Rossano Lanza

rianza@dcs-sales.com

39.338.737.5577 Phone